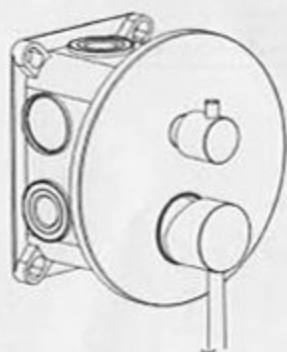
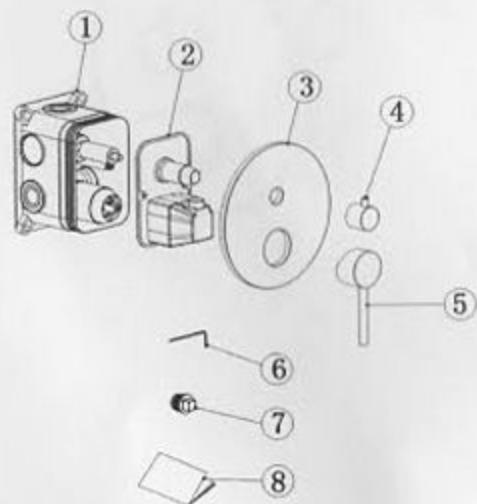


INSTALLATION MANUAL



Tri-functional control valve standard parts list

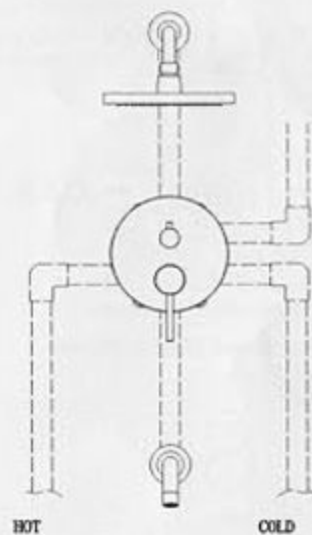
NO	Name	Quantity
1	Tri-functional control valve	1
2	Protective cover	1
3	Decorative panel	1
4	Diverter handle	1
5	Handle	1
6	S=2.5 Allen key	1
7	Plastic plugs(1/2)	3
8	Installation manual	1



1

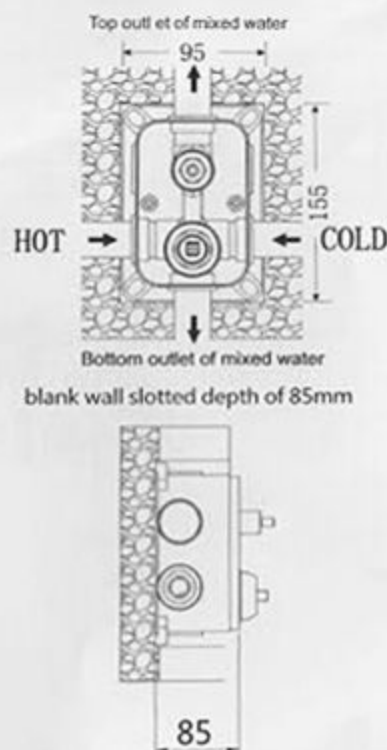
The Embedded Program

Pay attention when connect the hot and cold water pipes to embedded box, cold water on the left and hot water on the right. The valve will not work correctly if connected the wrong way.



The Size(When you break the wall to install the tri-functional control valve)

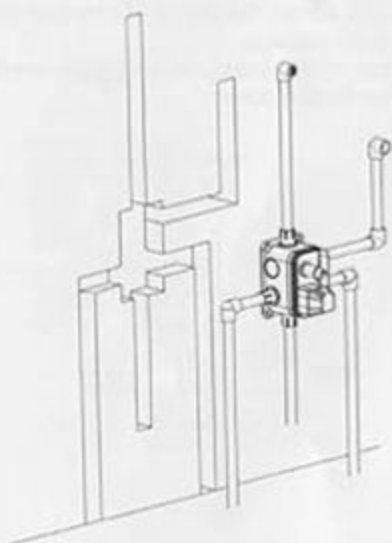
1. The opening size of the blank wall should be 160*95*85mm



2 3

Tri-functional pipe connection

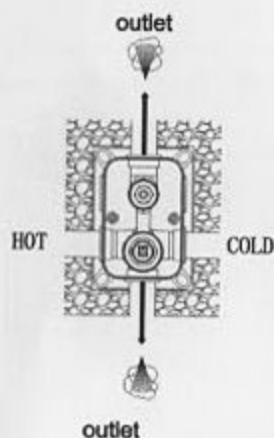
1. According to the product's basic Dimensional Drawing, you should create enough space for the outlet of the embedded pipes, water pipes, shower arm and shower head
2. Connect the water pipes (cold and hot). Connect the upper of the shower arm and the lower spout (hand shower) to the embedded box separately,



4

test of water and tightness

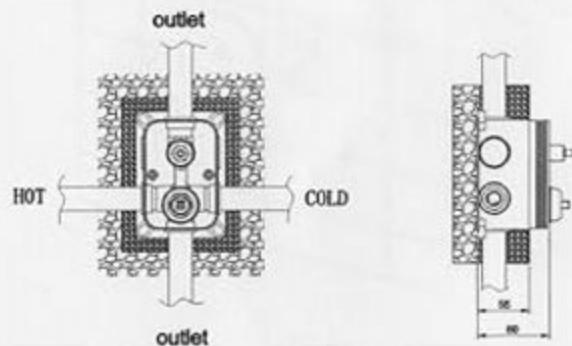
1. Purpose: Flush the impurities and silt inside the pipe in case of the blocking
2. Open the protective plastic sheet and protective cover, Turn on the tap and Open up the supply valve rod to flush the pipe. Close the spool and test the pressure resistance and tightness to make sure there is no leakage
3. Block all outlets of pipes with plastic plugs (1/2) and turn on the tap. Check whether the connection part of the upper of the outlet pipe are tight and the status of pipe are tight, Check the status of pipeline pressure. Make sure there is no leakage
4. After the test of tightness, revert the protective plastic sheet and protective cover.



5

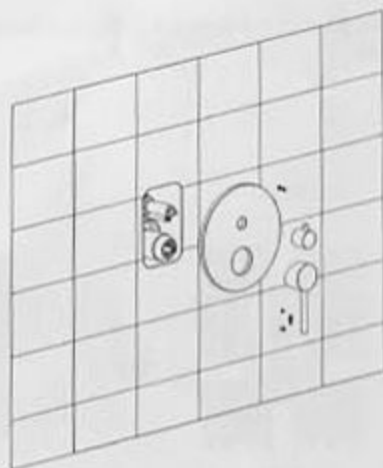
Sealing wall procedure

1. Measure the flashness of the embedded box and vertical wall with parallel ruler. If the wall is not flat, you can fix it to make sure the angle between the vertical wall is mostly close to the ideal angle of 90 degrees in order to pave tiles
2. Remove the part of the embedded box which is above the tile wall



The installation of the triple function control valve

1. Remove the protective plastic sheet and protective cover
2. According to the following chart, connect the decoration panel and handle to the control valve,



Easy to install



Water conservation



Save time



Save money

6

7